

# ANR-J190/J180N1/2

1U Rack Mount Intel® Celeron® Bay Trail J1900/J1800 Networking,  
6/4 x GbE LANs



## Features

- Intel® Celeron® Bay Trail J1900/ J1800
- 6/4 x GbE, 4 x USB
- 2 x mini PCIe Expansion, 1 x SIM Slot
- 2 x COM
- 8 x GPIO



## Specification

### System

CPU	1. Intel® Celeron® Bay Trail J1900, Quad-core, clock speed 2.0GHz 2. Intel® Celeron® Bay Trail J1800, Dual-core, clock speed 2.41GHz
Memory	1 x DDR3L-1600MHz, SO-DIMM, up to 8GB
BIOS	AMI UEFI
WatchDog Timer	Software programmable 1~255 sec.

### Video

Graphic Controller	Integrated graphics support for processors with Intel Graphics Technology
Video Interface	1 x VGA (1 x internal header)

### Ethernet

Chipset	6/4 x Intel GbE chip
Connector	6/4 x RJ45 with LED
Bypass LAN	Yes (one pair)

### Storage

SATA	1 x SATAII port
Compact Flash	1 x Compact Flash Type II socket
HDD Bay	1 x 2.5" HDD Bay

### I/O

Expansion	2 x mini PCIe slot
Console Port	1 x Console (1 x RJ45)
USB	1 x USB 3.0, 3 x USB 2.0 (2 x external)

### Power Requirement

Power Requirement	Internal 60W power supply, input range AC 90V - 264V, 47 - 63 Hz
-------------------	--

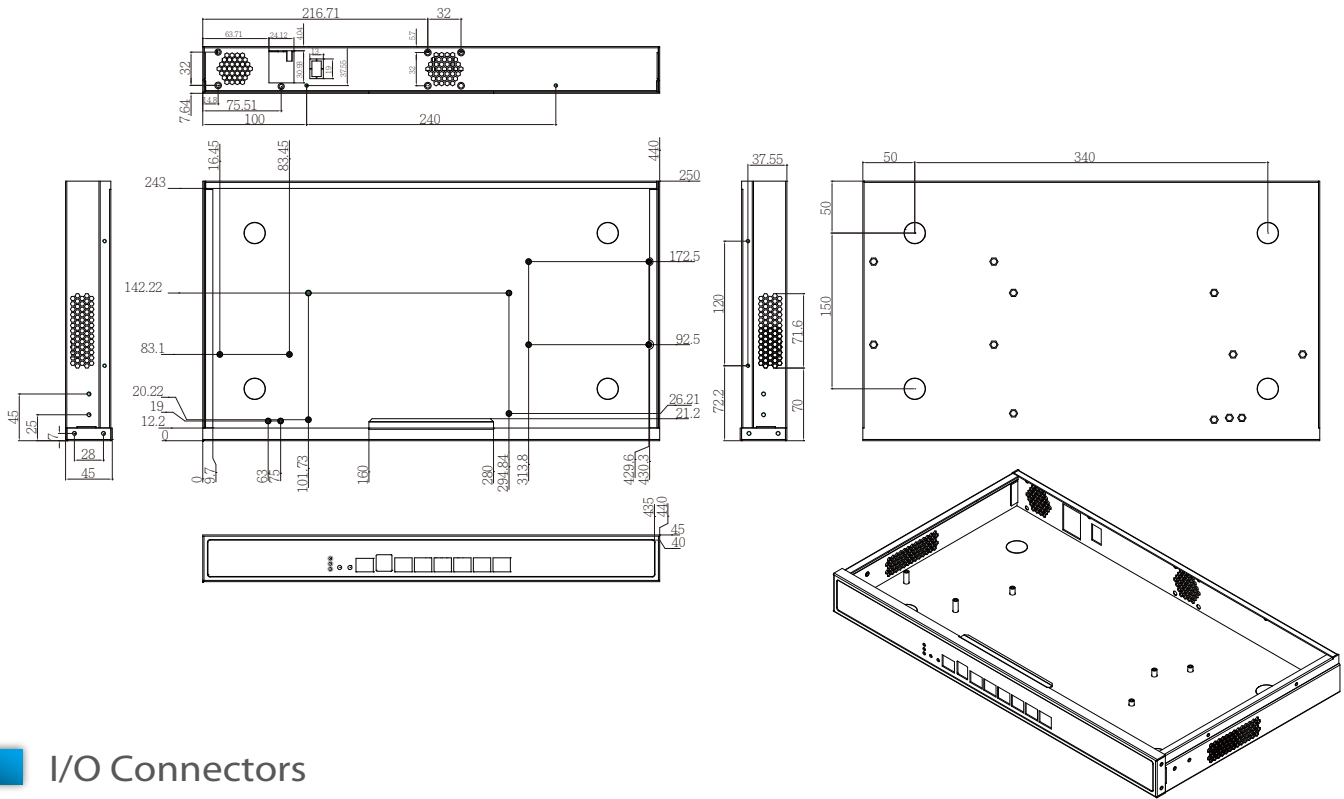
### Software

OS Support	Windows 7 / Windows 8 / Linux
------------	-------------------------------

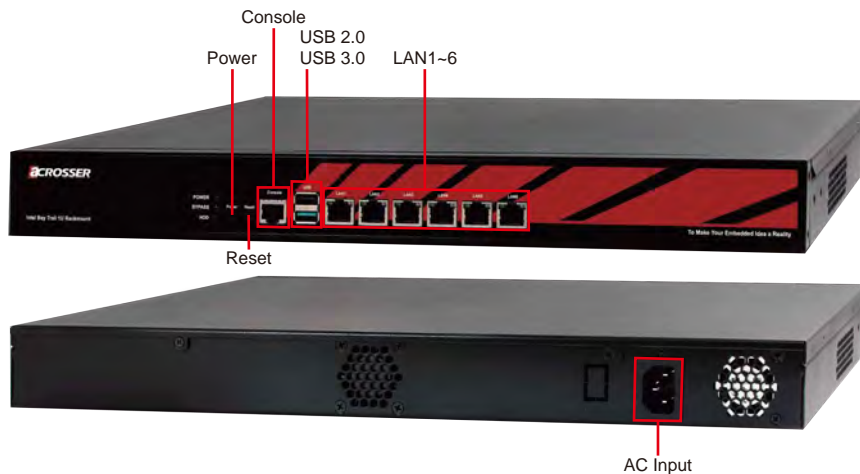
### Mechanical & Environment

Dimension	440 x 250 x 44 mm
Operating Temp.	0~40°C
Storage temp.	-20~75°C
Safety	CE, FCC class A

## Dimension



## I/O Connectors



## Packing List

- 1 x ANR-J190N1, 1 x ANR-J180N1 (6LAN SKU)
- 1 x ANR-J190N2, 1 x ANR-J180N2 (4LAN SKU)
- 1 x Driver CD
- 1 x Quick Guide
- 1 x Console Cable (DB9)
- 1 x SATA Cable
- 1 x SATA Power Cable
- 1 x Power Cord (Option for USA/UK/EU/JPN/AU/RSA)

## Ordering Information

ANR-J190N1	1U Rack Mount with Intel® Celeron® Bay Trail J1900, DDR3L, 6 x GbE, USB 2.0/USB 3.0, SATA II, CF, mini PCIe
ANR-J190N2	1U Rack Mount with Intel® Celeron® Bay Trail J1900, DDR3L, 4 x GbE, USB 2.0/USB 3.0, SATA II, CF, mini PCIe
ANR-J180N1	1U Rack Mount with Intel® Celeron® Bay Trail J1800, DDR3L, 6 x GbE, USB 2.0/USB 3.0, SATA II, CF, mini PCIe
ANR-J180N2	1U Rack Mount with Intel® Celeron® Bay Trail J1800, DDR3L, 4 x GbE, USB 2.0/USB 3.0, SATA II, CF, mini PCIe