

TQMa35

Allroundtalent for many applications

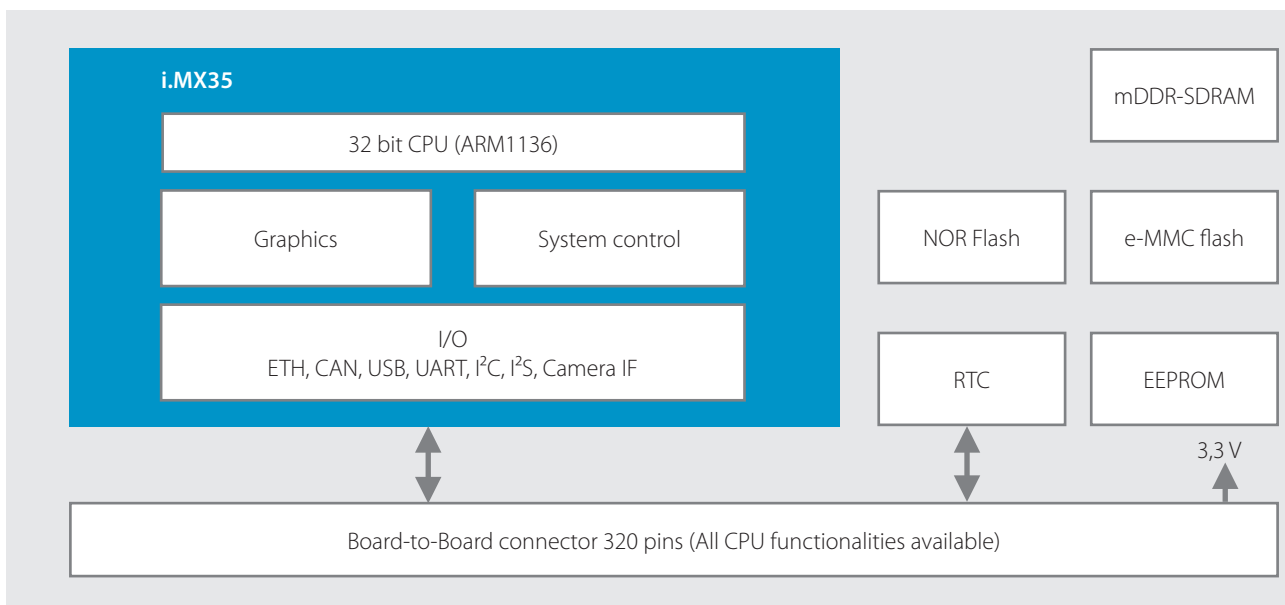
The TQMa35 Minimodule, based on the Freescale i.MX35 processor, offers a balanced ratio between computing and graphic performance. The basis for this is an ARM11 core with up to 532 MHz. A large number of interfaces and module functions is implemented due to the high level of interface and function integration in the CPU. This allows the basic board to be developed easily and at low-cost.

All the processor's functional pins are on the module plug-in connector.

The highlights:

- All CPU interfaces available
- Extended boot options (USB, SD card)
- Extended temperature range
- e-MMC flash
- Low power consumption (typ. 2-3W)
- Long-term availability
- IEC 61850 stack

Block diagram TQMa35



Technical specification

Microprocessor

MCIMX357DJQ5C / MCIMX353 DJQ5C / MCIMX357CJQ5C / MCIMX353 CJQ5C

System interfaces

1x Ethernet 10/100 Mbit
2x FlexCAN
3x UART
1x USB 2.0 high-speed HOST interface
1x USB full-speed OTG interface

Periphery interfaces

WEIM Bus
Up to 2x SDIO/MMC
24 bit TFT interface (LVDS and TTL)
2x I²C
2x CSPI
1x SSI/I²S
1 wire
Camera I/F

Memory

mDDR-SDRAM: up to 512 MB
NOR flash: up to 128 MB
e-MMC: up to 32 GB
EEPROM: 0 / 64 kbit

Other

Real Time Clock (RTC)
Temperature sensor
CPU JTAG Interface

Power supply

3,3 V

Ambient conditions

Standard temperature range: 0°C...+70°C
Extended temperature range: -30°C...+85°C (optional)

Dimensions

54 mm x 44 mm

Plug-in system

Board-to-board plug-in system (320 Pins) 2x120 + 1x80

Operating systems

WinCE 6.0, Linux (Kernel 2.6), QNX

Ordering information

TQMa35-AA

TQMa35, i.MX353 / 532 MHz, 32 MB Flash, 128 MB mDDR, 64 kbit EEPROM, -30°C...+85°C

TQMa35-AB

TQMa35, i.MX353 / 532 MHz, 32 MB Flash, 256 MB mDDR, 2 GB e-MMC flash, 64 kbit EEPROM, -25°C...+85°C

STKa35-AB

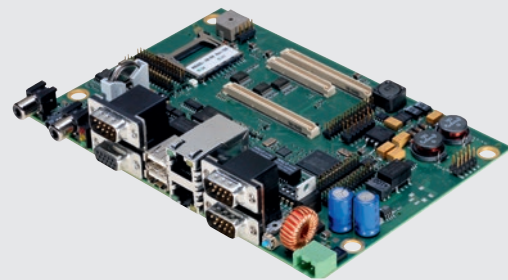
STKa35 (Eval Kit) with TQMa35-AB, i.MX353 / 532 MHz, 32 MB NOR Flash, 256 MB mDDR, 2 GB e-MMC flash, 64 kbit EEPROM, 1x RS232, 1x RS485 ,GPIO 4xIN / 8xOUT, 2 x CAN 2.0B isol., 2x USB 2.0 HOST, 2x ETH 10/100, Stereo Out, Mono Mic In, RTC, Temperature sensor, Reset button, SD interface, Power Supply, 2 GB SD card, Z-Modem Cable

STKDT070-AA

7" Touch-Display, WVGA 800x480, 300cd, Touchpen, Cable set

Starter kit STKa35 set

The core of the STKa35 set is the TQMa35 with the i.MX35 CPU from Freescale. The components contained in the starter kit constitute a modular system enabling you to develop your own product ideas. Development of graphic interfaces can be started immediately using the prepared combination of closed display unit and starter kit that are matched to each other. To develop your own hardware you can use the certified and qualified circuit components of the starter kit in your own designs.



TQ-Systems GmbH

Mühlstr. 2 | Gut Delling | 82229 Seefeld | Germany

Phone: +49 8153 9308-0 | Fax: +49 8153 4223

info@tq-group.com | www.tq-group.com

>> Quicklink: www.tq-group.com/en/TQMa35