

TQMa6x

The Multimedia module

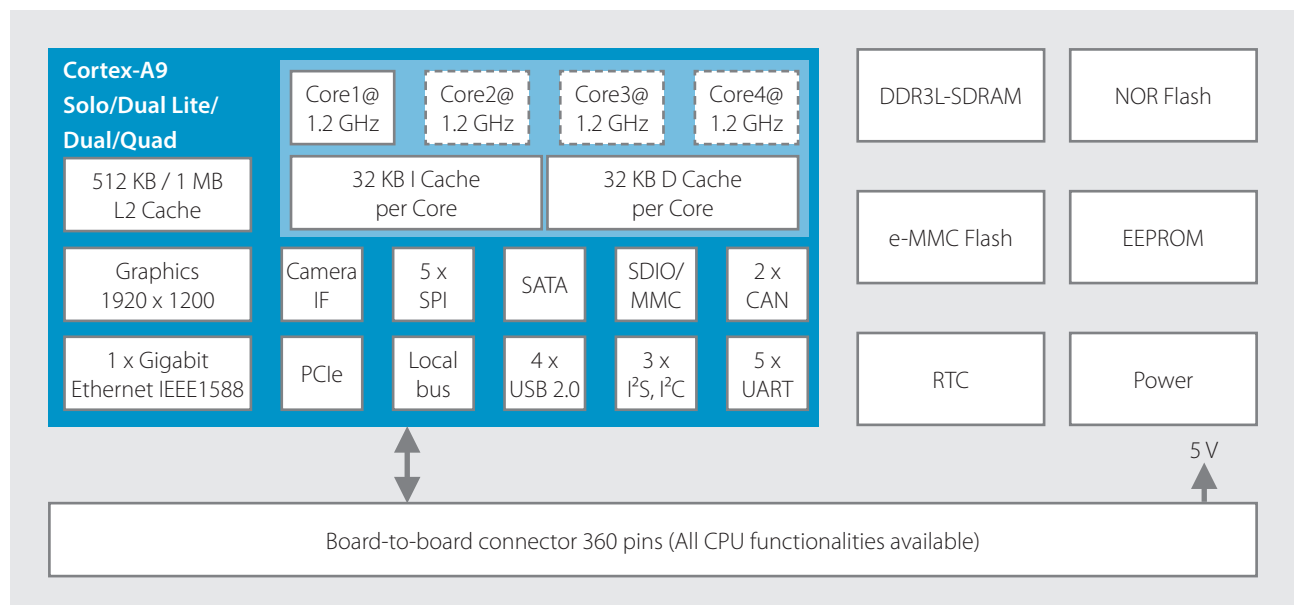
The Minimodule TQMa6x, based on the processor i.MX6 from Freescale, combines Industry and Multimedia. The integrated graphic controller supports displays with a resolution up to UXGA. Therefore the module is best suited for HMI and animated display screen- and accordingly multitouch applications.

With an ARM Cortex™ A9 core and a clock rate up to 4 x 1,2 GHz the TQMa6x provides a balanced ratio between performance and power dissipation.

The highlights:

- Graphic
- Extended temperature range
- e-MMC flash
- Low power consumption (typ. 4 W)
- Long-term availability
- IEEE 1588 support
- Security functions

Block Diagram TQMa6x



Technical specification

Microprocessor

MCIMX6 Solo/Dual Lite/Dual/Quad Cortex-A9

System interfaces

1x Ethernet 10/100/1000 Mbit (IEEE 1588)
2x FlexCAN
1x USB 2.0 high speed OTG interface
1x USB 2.0 high speed HOST interface
Up to 5x UART

Periphery interfaces

Up to 2x USB 2.0 High-Speed Inter-Chip (HSIC)
WEIM Bus
Up to 3x SDIO/MMC
Up to 2x I²C
Up to 5x SPI
Up to 3x SSI/I²S
ESAI
2x 16 bit Camera I/F
SATA
PCIe
SPDIF

Graphic

DVI (HDMI)
Parallel 2x 24 bit (RGB)
Dual LVDS

Memory

DDR3L-SDRAM: Up to 2 GB (MCIMX6 Solo with 1 GB)
e-MMC: Up to 16 GB
NOR: Up to 128 MB
EEPROM: 0 / 64 kbit

Other

Real Time Clock (RTC)
Temperature sensor
CPU JTAG Interface

Power supply

5 V

Ambient conditions

Standard temperature range: -25°C...+85°C
Extended temperature range: -40°C...+85°C

Dimensions

70 mm x 46 mm

Plug-in system

Board-to-board plug-in system 360 pins

Operating systems

Linux

Operating systems on request

VxWorks, WEC 7, Android, QNX

Ordering information

TQMa6S-AA

TQMa6S, Solo Cortex-A9 / 800 MHz, 4 GB e-MMC flash, 512 MB DDRL3, 64 kbit EEPROM, -25°C ...+85°C

TQMa6D-AA

TQMa6D, Dual Cortex-A9 / 800 MHz, 4 GB e-MMC flash, 1 GB DDRL3, 64 kbit EEPROM, -25°C ...+85°C

TQMa6Q-AA

TQMa6Q, Quad Cortex-A9 / 800 MHz, 4GB e-MMC flash, 1 GB DDRL3, 64 kbit EEPROM, -25°C...+85°C

STKa6D-AA

STKa6x (Eval Kit) with TQMa6D-AA, Dual Cortex-A9 / 800 MHz, 1 GB DDR3, 4 GB e-MMC Flash, 64 kbit EEPROM, 1x RS232, 1x RS485, 2 x CAN 2.0B separated, 3x USB 2.0 HOST, 1x USB 2.0 OTG, 1x ETH 10/100/1000, 1 x ETH 10/100, DVI (HDMI), 1x PCIe, 2x LVDS, Sound, RTC, Temperature sensor, Reset button, SD interface, Power Supply, 4 GB SD card, Cables

Starter kit STKa6D set

The core of the STKa6D Set is the TQMa6D module with a Dual Cortex-A9 CPU from Freescale. The components contained in the starter kit constitute a modular system enabling you to develop your own product ideas. Development of graphic interfaces can be started immediately using the prepared combination of closed display unit and starter kit that are matched to each other. To develop your own hardware you can use the certified and qualified circuit components of the starter kit in your own designs.



TQ-Systems GmbH

Mühlstr. 2 | Gut Delling | 82229 Seefeld | Germany

Phone: +49 8153 9308-0 | Fax: +49 8153 4223

info@tq-group.com | www.tq-group.com

>> Quicklink: www.tq-group.com/en/TQMa6x

Technology in Quality

